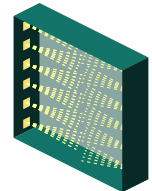


ALASKA-1W



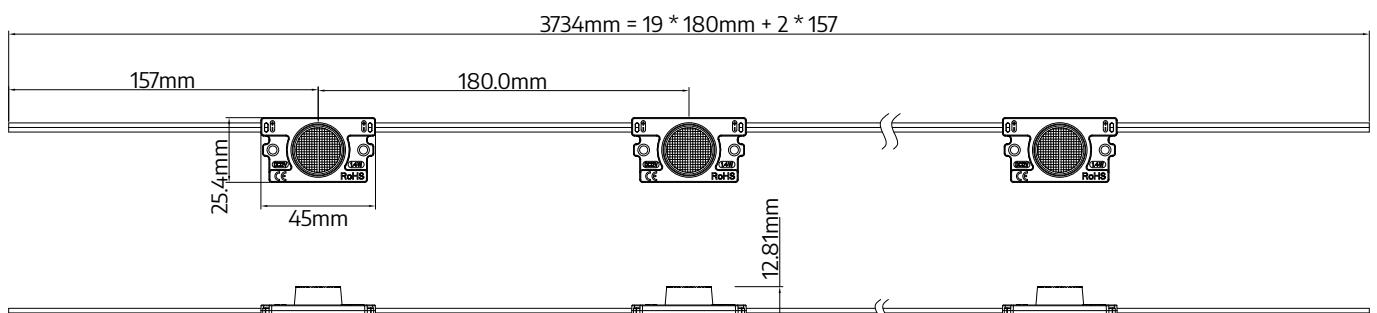
12-18 cm

double-sided
lightboxes



- luminous efficacy 93 lm/W
- for indoor and outdoor use
- 20 pcs in chain

DIMENSIONS



ALASKA-1W



TECHNICAL SPECIFICATION

Parameter	Value
Rated voltage	12 V DC
Power consumption per module	1,4 W
Chain power consumption	28 W
Current consumption per module	116 mA
LED diodes	San'an led - 2835
Quantity of LEDs	1
Light color	X = W - white (6500K)
Flux	130 lm
Flux density	93 lm/W
Color rendering index CRI	≥70 (on request ≥80, ≥90, ≥95)
Beam characteristic	18 x 50°
Current stabilization	No
Dimming	Yes
Module dimensions (L × W × H)	45 × 26 × 13 mm
Cable length	135 mm
Number of modules in 1 m	5,6
Box weight	12 kg
Montage	Adhesive tape / mounting screw
Lifetime	L70B50 > 50000h
Working temperature	-25°C ... +50°C
IP protection	IP66
Warranty	4 years

ALASKA-1W



CONNECTION DIAGRAM

One-side power input



Maximum number of modules 20 pcs

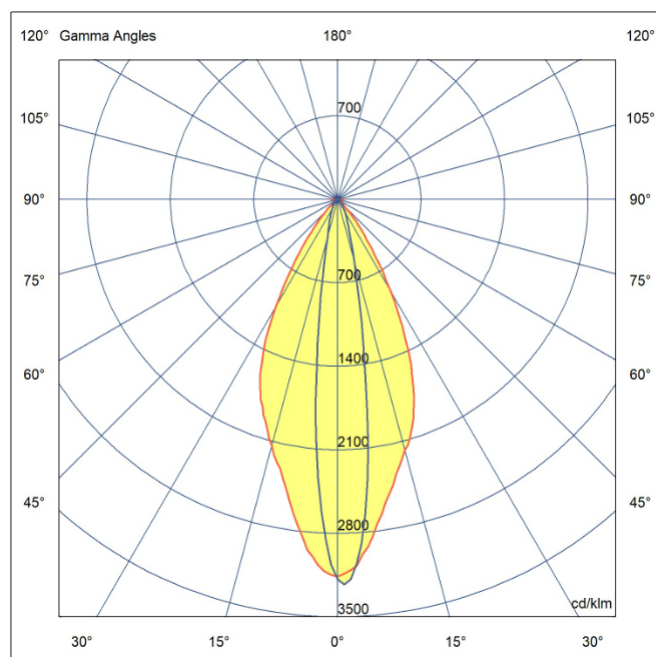
Two-side power input



Maximum number of modules 40 pcs

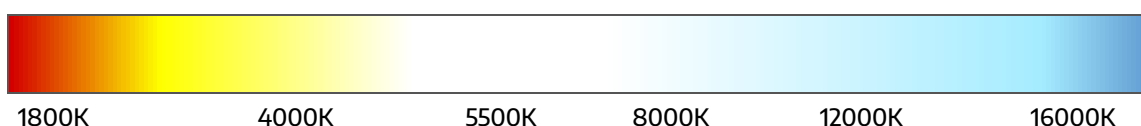
It is acceptable to connect multiple chains in parallel, as long as the power supply provides sufficient power.

BEAM ANGLE



LIGHT COLOR / CCT

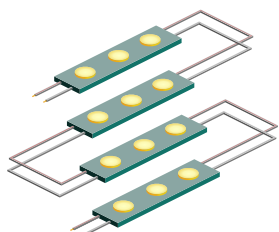
Abbreviation	Light color	CCT
WW	warm white	~3000K
NW	neutral white	~4000K
W	white	~6500K
CW	cold white	~10000K



ALASKA-1W



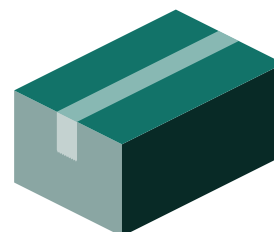
PACKING



Chain
20 pcs



Bag
100 pcs



Box
1200 pcs