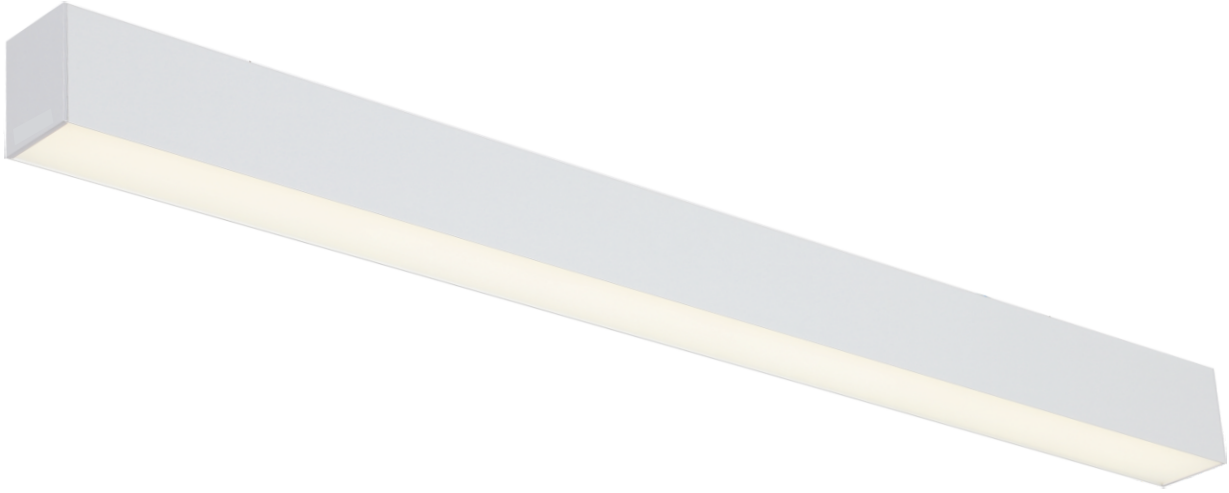


# LED Linear Light

A5  
• Universal Application

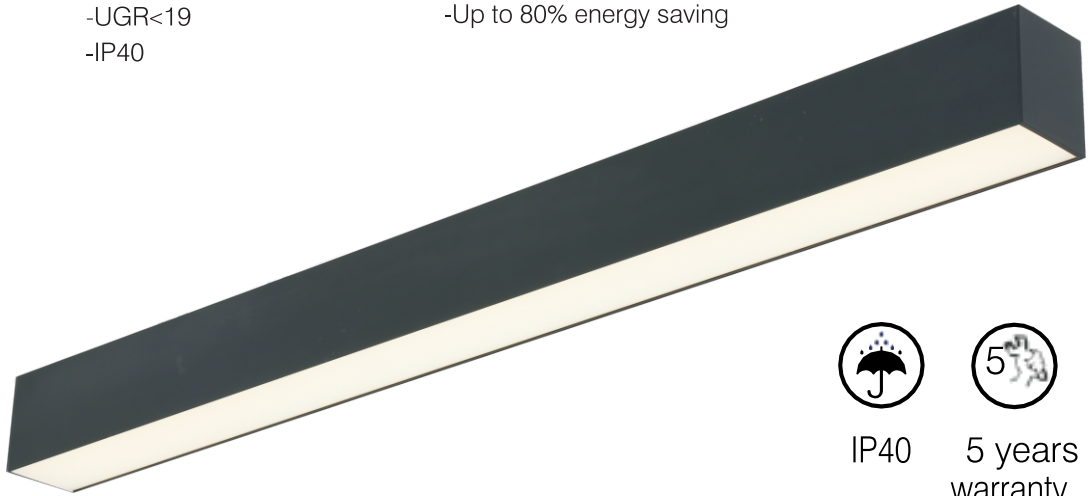


A5  
**LED Linear Light**



# 1.Features

- Beam Angel 100° /120°
- Non-flicker available
- Up to 100Lm/W
- UGR<19
- IP40
- Wide use in commercial and industrial area
- Fast fit and zero maintenance
- 50,000h , 5 years warranty
- Up to 80% energy saving

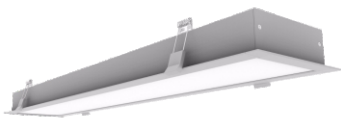


IP40



5 years warranty

Embedded



Suspension



Surface mounted



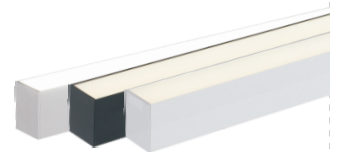
Lamp detail



Size can be customized



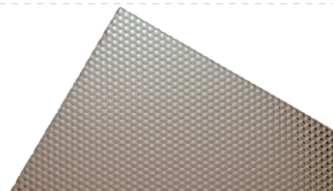
3 Colors Optional(White\Black\Silver)



No Flickering



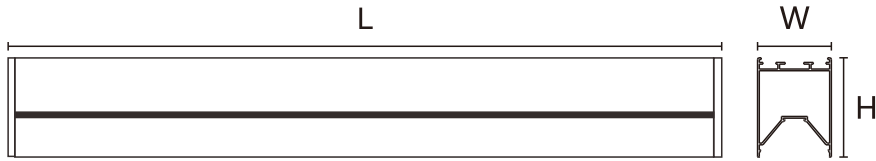
UGR<19



Driver



## 2.Product Dimension



Item Code	Size L(mm)	Size W(mm)	Size H(mm)
LU-LUL-5270	1200	52	70
LU-LUL-5270	1500	52	70
LU-LUL-6563	1200	65	63
LU-LUL-6563	1500	65	63

Can Be Customized

## 3.Parameter

ModelNO.	Power (W)	Lumens	Lm/W
LU-LUL-5270	30	3000	100
LU-LUL-5270	40	4000	100
LU-LUL-6563	40	4000	100
LU-LUL-6563	50	5000	100

CCT : 3000K\4000K\6000K

AC Input : 200-240V

Beam Angle : 100°/120°

Light Efficiency : 100Lm/W

Size(mm) : 1200\*52\*70/1500\*65\*63

Waterproof : IP40

Installation method : Embedded/Suspension/Surface mounted

PF: ≥0.95 CRI : > 82

Temperature : -30~+65°C

Dimmable Emergency Motion sensor

### Notes:

- All values in +25°C ambient temperature, luminous flux tolerance +5%, output power tolerance+5%.

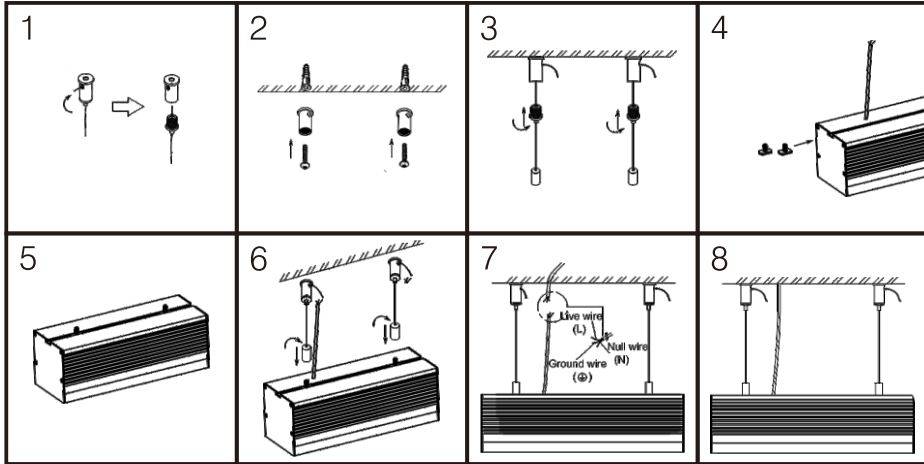
## 4.Accessory part number matrix



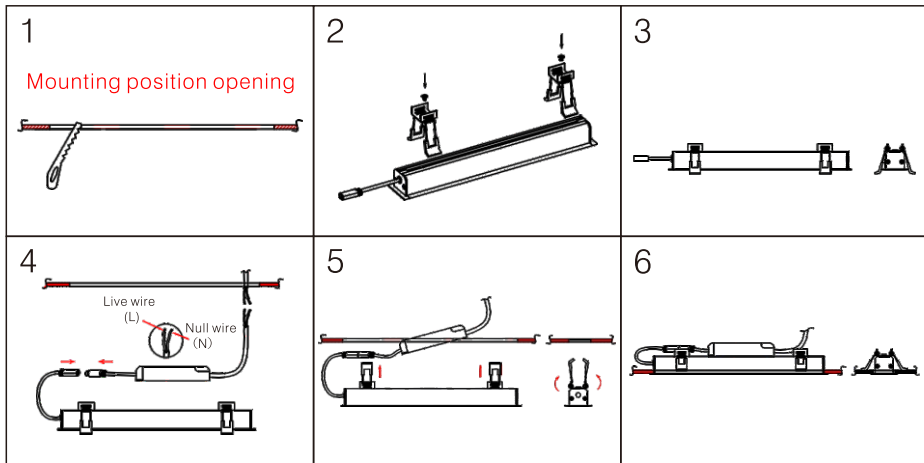
### Mounting Accessories

IMAGE	DESIGNTION	MATERIAL	DESCRIPTION	QUANTITY	ACCESSORY USE
01	Metal Bracket	Stainless steel	Assigned by model	2pcs(Embedded、Surface mounted)	Used for the of Embedded and Surface Mounted.
02	Screw	Stainless steel	4X20mm	2pcs(Embedded、Surface mounted) 4pcs(Suspension)	Used for the of Mounted.
03	Particles	PC	Length of thread:8mm	2pcs(Suspension、Surface mounted)	Dimension : 8mm<Cable<12mm
04	Suspending Cable	Stainless steel	1.4M	2pcs(Suspension)	Used for the of Suspension.

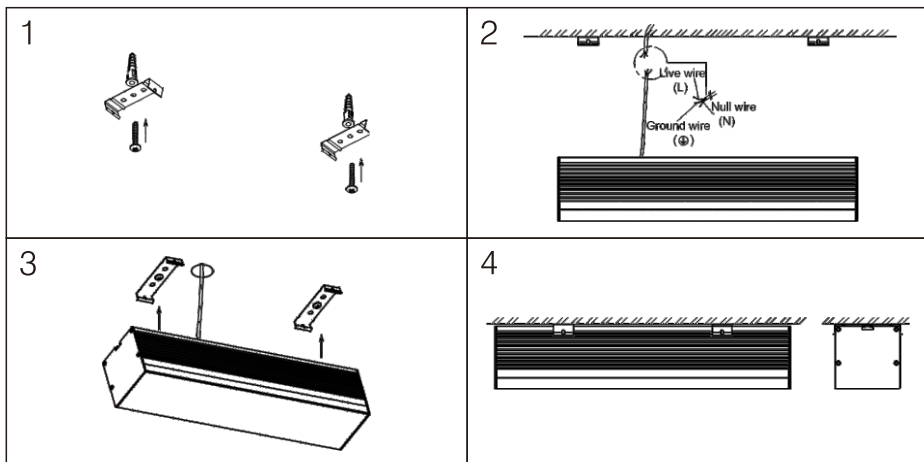
### Suspension



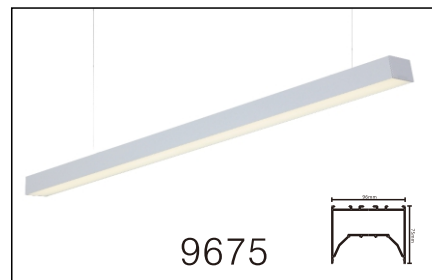
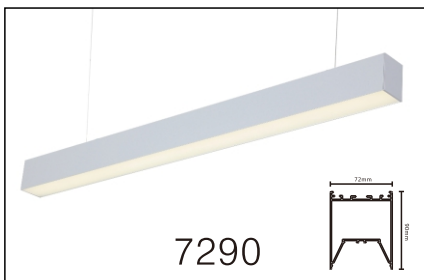
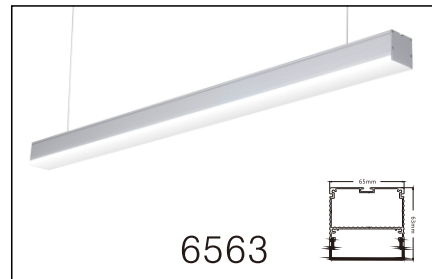
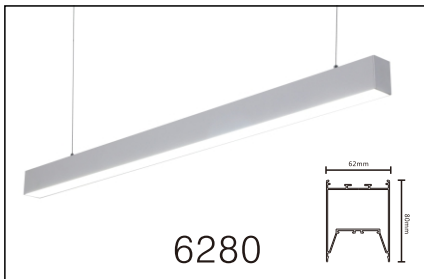
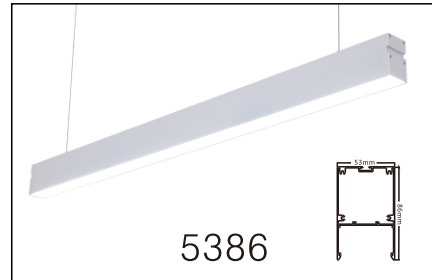
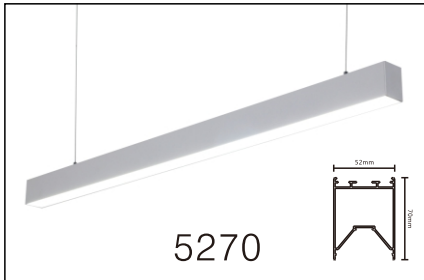
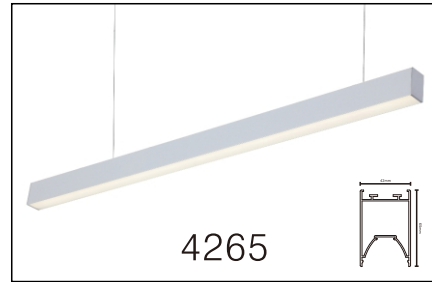
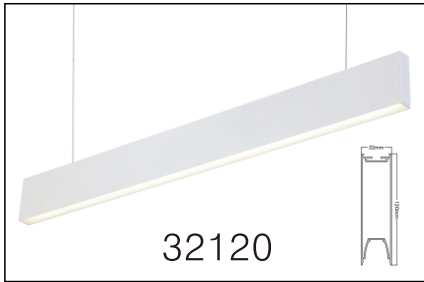
### Embedded



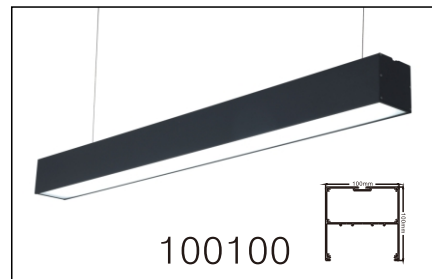
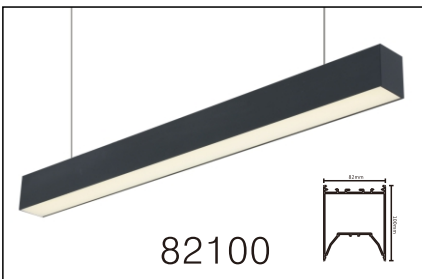
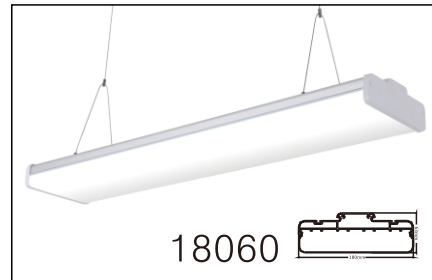
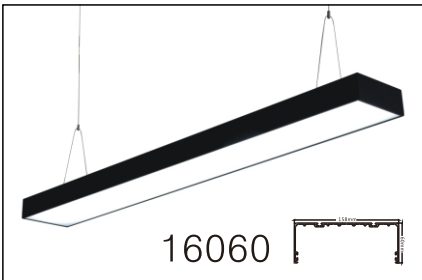
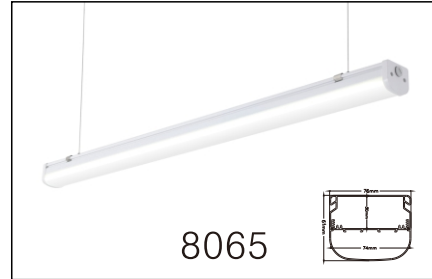
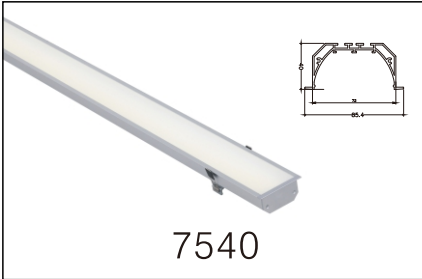
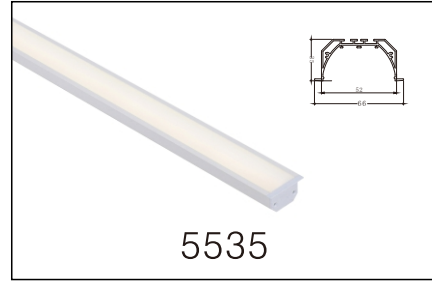
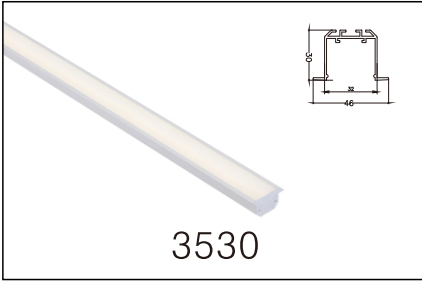
### Surface mounted



## 5. Dimensions Model Number



## Model Number

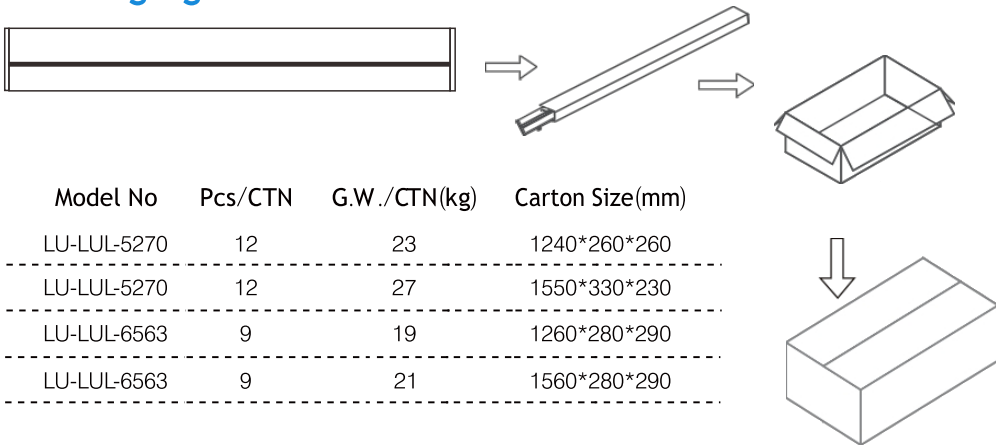




## 6.Application

- Office  
Corridors and stairways, Meeting rooms, Entrance areas,  
Open-plan offices, Offices, Sanitary areas
- Education  
Classrooms, Cafeteria, Auditorium, Sports halls
- Architectural  
Exhibition center, Library, Art Museum  
Concert hall, Museum
- Health & Care  
Normal care, Intensive care, OR sector,  
Examination rooms, Sanitary areas
- Shop & Retail  
Shopping mall, Supermarkets, Retail stores

## 7.Packaging



Model No	Pcs/CTN	G.W./CTN(kg)	Carton Size(mm)
LU-LUL-5270	12	23	1240*260*260
LU-LUL-5270	12	27	1550*330*230
LU-LUL-6563	9	19	1260*280*290
LU-LUL-6563	9	21	1560*280*290

