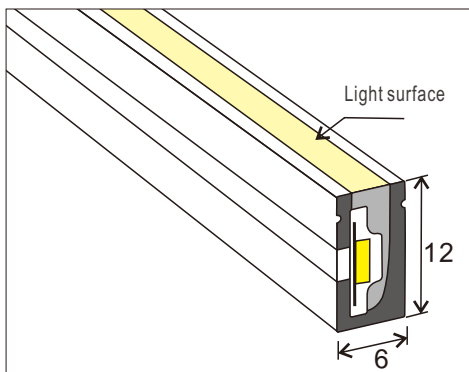


Announcements

➤ LED strips are low voltage products, you must use the power supply(transformer). Do not connect the led strip directly to the AC 110v or AC 220v, otherwise it will burn out the LED strips and lead to safety (security) accidents.

➤ Please read the specifications thoroughly before installation by professional staff to make sure the safe use.

Size(mm)

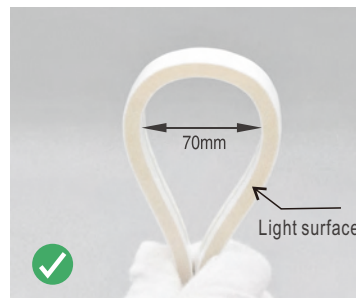


Working Temperature	-20~50°C
IP Grade	IP67
PCB Width	5-8mm

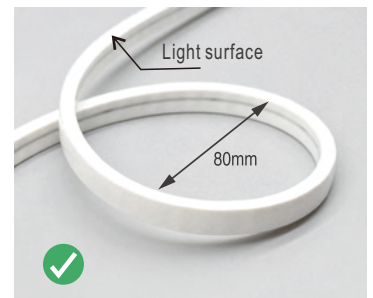


Please notice that the strips are not bendable to all directions. As the appropriate specific shape and degree, please follow the following instruction:

Correct bending way

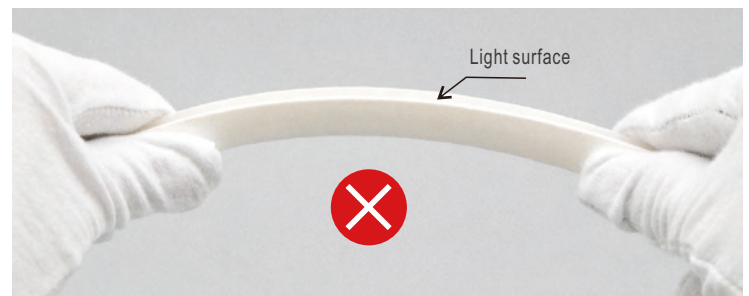


Face to the light surface, fold the strip, the minimum bending diameter is 70mm

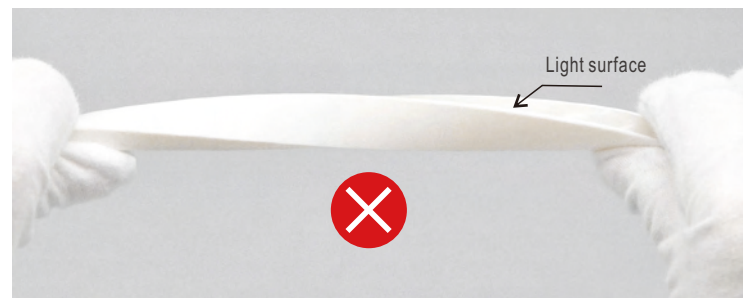


Light surface upwards, the strip is bendable to right or left naturally, the minimum bending diameter is 80mm

Incorrect bending way



Face to the side surface,(as the picture shows) Do not bend downward to damage the strip.



(as the picture shows) please do not twist the strip, or it will be damaged